

VARIO® chemistry diaphragm pump MZ 2C VARIO select

Order no.: 20732450

The MZ 2C VARIO select pump is an excellent solution for labs working with most common solvents. The integrated VACUU-SELECT controller provides an easy-to-use, application based interface that covers all common lab applications. The VACUU-SELECT controller has you covered. Use manual set-point-control for simple processes, run fully automated distillations, or create your own application with simple drag-and-drop editing. For solvent evaporation, the VACUU-SELECT controller detects the boiling pressure and automatically adjusts the pump to maintain process control. On-demand motor speed control yields not only improved vacuum control, but it also results in unparalleled service intervals for wear parts like diaphragms and valves.



Performance features

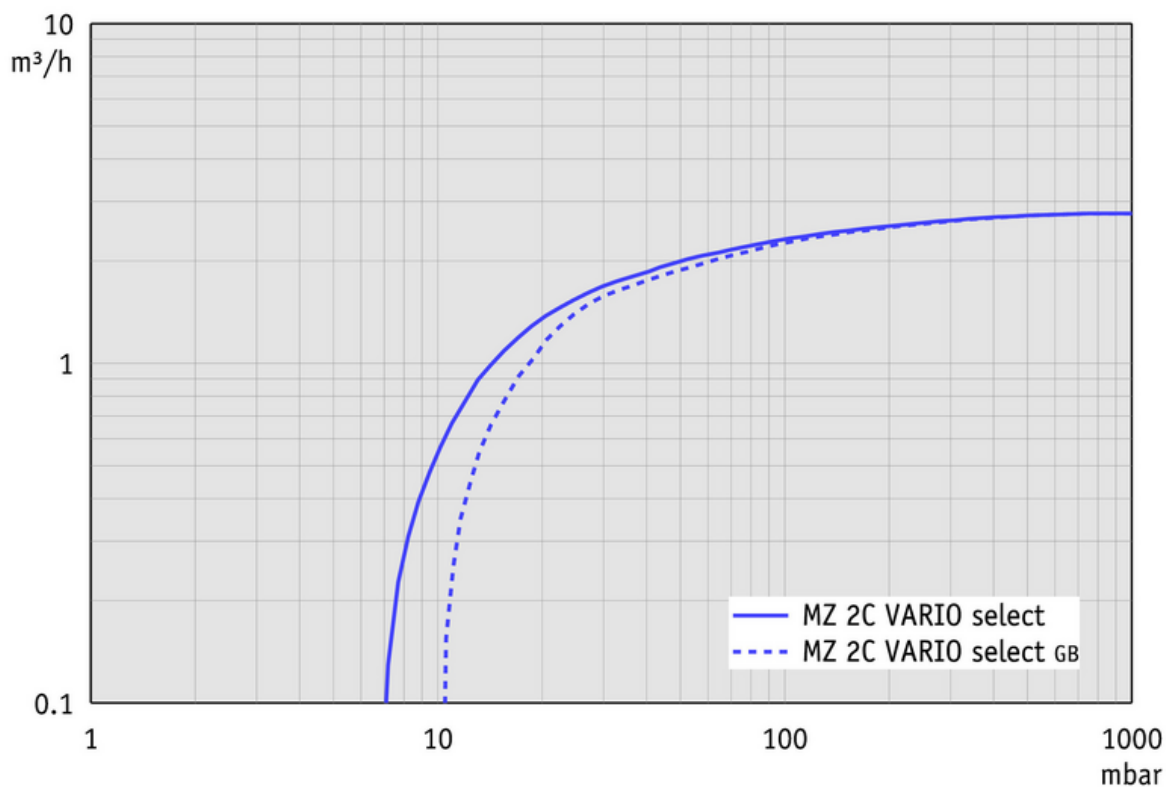
- VACUU-SELECT vacuum controller with graphical user interface and predefined applications simplifies work in the laboratory
- automatic boiling point detection and adjustment of the vacuum for short process times
- extraordinary diaphragm life for minimum operational and servicing costs
- excellent chemical resistance

Technical data

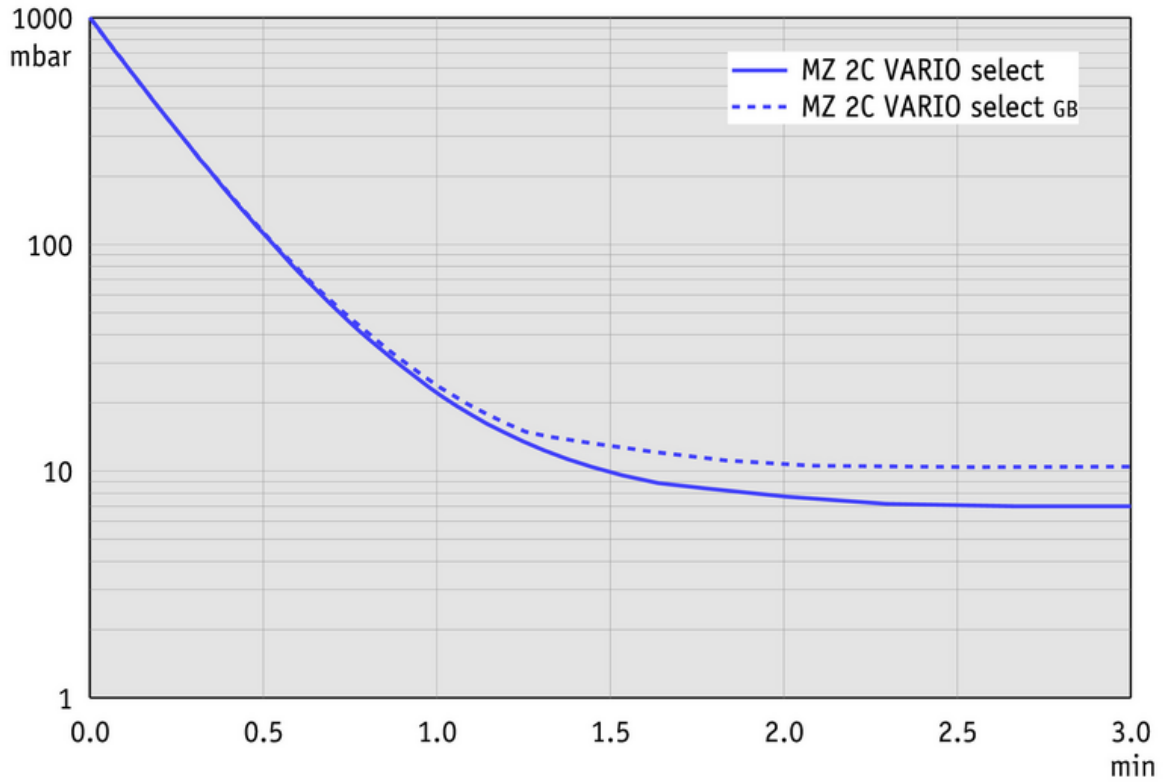
| | | |
|---------------------------------------|-------------------|------------------------|
| Vacuum controller | | VACUU-SELECT |
| Number of heads / stages | | 2 / 2 |
| Max. pumping speed | m ³ /h | 2.8 |
| Max. pumping speed | cfm | 1.6 |
| Ultimate vacuum (abs.) | mbar/torr | 7 / 5 |
| Ultim. vac. (abs.) with gas ballast | mbar/torr | 12 / 9 |
| Ambient temperature range (operation) | °C | 10 - 40 |
| Ambient temperature range (storage) | °C | -10 - 60 |
| Max. back pressure (abs.) | bar | 1.1 |
| Inlet connection | | Hose nozzle DN 8-10 mm |
| Outlet connection | | Hose nozzle DN 8-10 mm |
| Rated motor power | kW | 0.53 |
| Max. operating current | A | 1.4 |
| Motor speed range | min ⁻¹ | 30 - 2400 |
| Protection class | | IP 20 |

| | | |
|---------------------------------|-----|---|
| Dimensions (L x W x H), approx. | mm | 243 x 243 x 245 |
| Weight, approx. | kg | 14.3 |
| Noise level at 50 Hz, typ. | dBA | 43 |
| CE mark | | Yes |
| ATEX conformity | | II 3/- G IIC T3 X Internal Atm. only |
| Items supplied | | Pump completely mounted, ready for use, with manual. |
| Accessories | | Vent valve VB M-B (20674217) Rubber vacuum tubing DN 8 mm (20686001) |

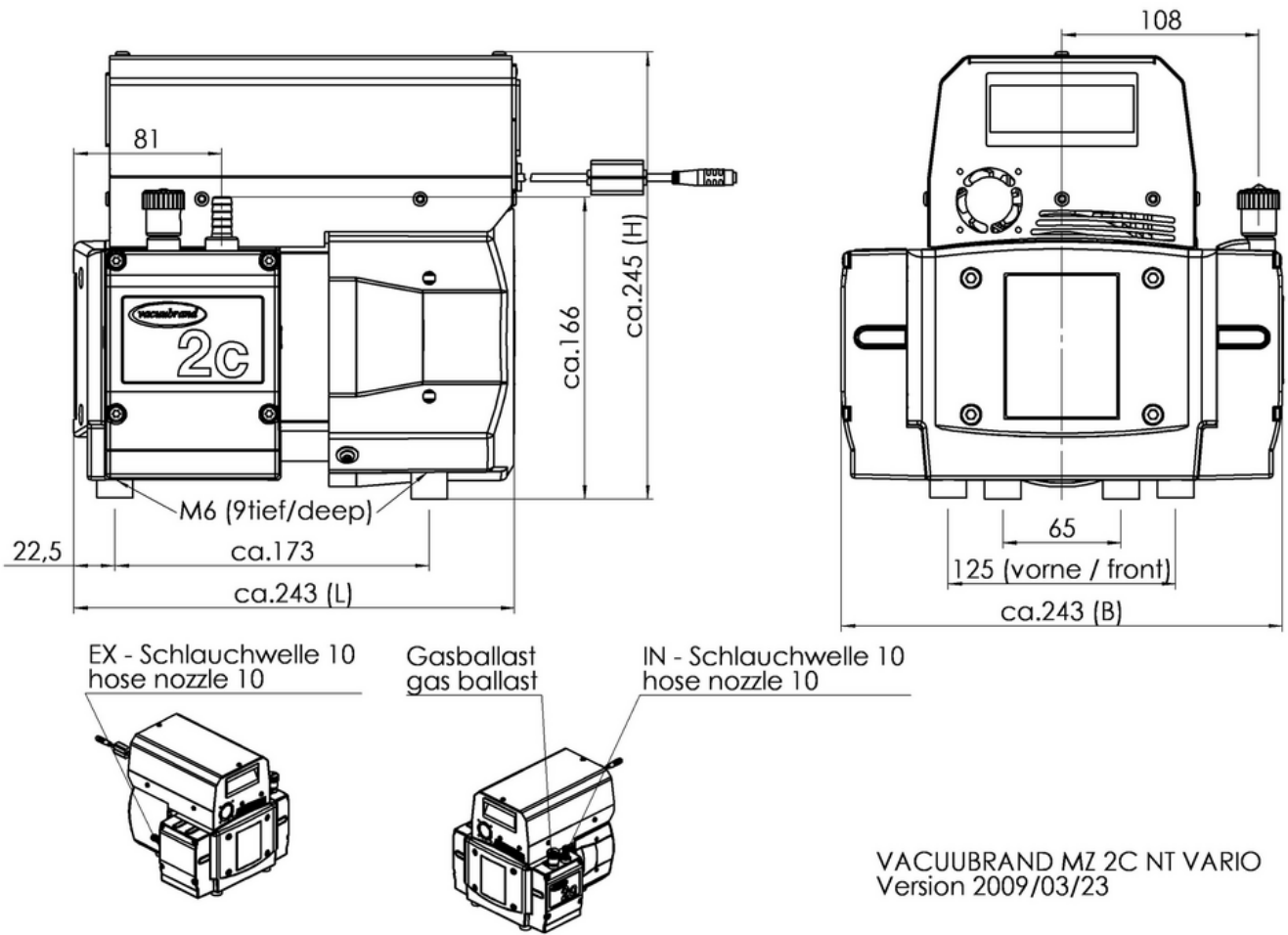
Pumping speed graph



Pump down graph
(10 l volume)



Dimension sheet



Ordering data

| Product name | Mains voltage and frequency | Plug | Order no. |
|--------------------|-----------------------------|------|-----------|
| MZ 2C VARIO select | 200-230 V~ 50-60 Hz | CEE | 20732450 |